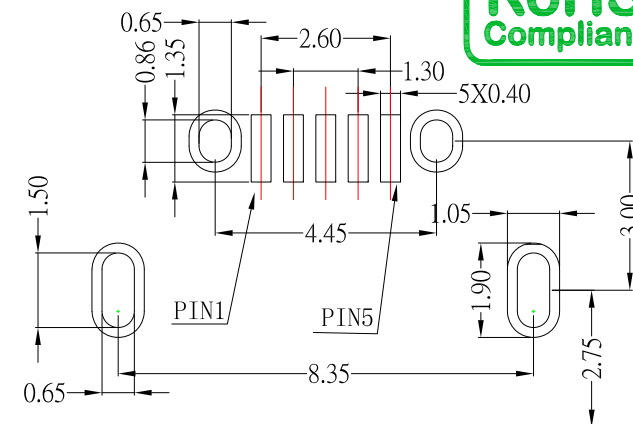




MRUSB-5AB-RV5-x-S410

SHELL 鍍層:

| |
|----|
| TN |
| NI |



P.C.B LAYOUT MOUNTING PATTEN

SPECIFICATIONS

Electrical:

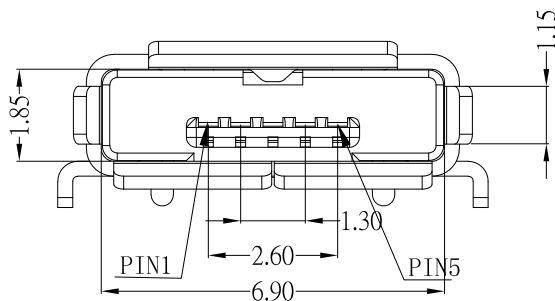
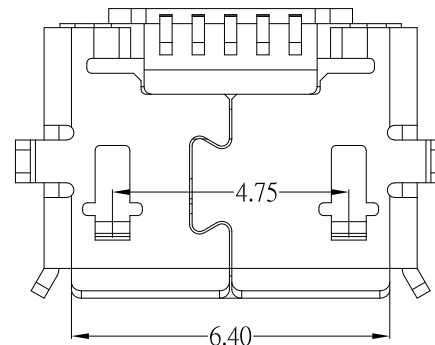
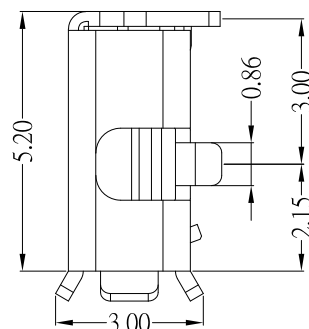
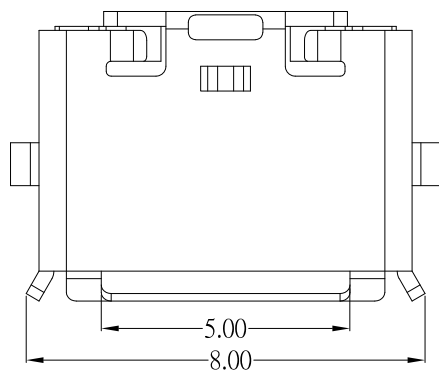
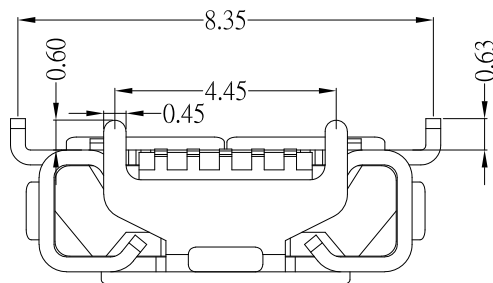
- 1.Current Rating: 1.0A
- 2.Contact Resistance: 30 mΩ Max
- 3.Dielectric Withstanding Voltage: 100 V for 1 min
- 4.Insulation Resistance: 100 MΩ Min

Material:

- 1.Housing: LCP
- 2.Contact: Brass
- 3.Shell: SUS

Finish:

- 1.Contact: Plated Gold in Mating Area ;
Tin Plated on Solder Balls ;
Nickel under plated overall
- 2.Shell: Tin or Nickel under Plated surface layer



CONTACT 建倚科技股份有限公司
CONTACT TECHNOLOGY CORP.

TOLERANCE UNLESS OTHERWISE STATED :
Up to 5 ±0.2
Above 5 ~ 15 ±0.3
Above 15 ~ 30 ±0.4
Above 30 ~ 50 ±0.5
Angle ±0.3

3RD. ANGEL'S



UNITS MM

| | | | | |
|--------------|----------|-----------|----------|--|
| DRAWN BY: | DATE | MAT'L | TITLE | CONNECTOR |
| Jack Lu | 08/28/24 | FINISH | MODLE | MICRO USB AB TYPE 反向牛角型 (8.35-4.45) 脚距3.0 |
| CHECKED BY: | DATE | SCALE | DWG NO. | MRUSB-5AB-RV5-x-S410 |
| Jacky Chen | 08/28/24 | 1 : 1 | PART NO. | MRUSB-5AB-RV5-x-S410 |
| APPROVED BY: | DATE | SHEET NO. | 1 of 1 | |
| Tony Kao | 08/28/24 | | | |

| | | | |
|----------|-------------|-------|--------|
| 2 | 更新樣式和材質及鍍層 | Jack | 082824 |
| 1 | 更新料號 | Jack | 121620 |
| ITEM NO. | DESCRIPTION | DRAWN | DATE |